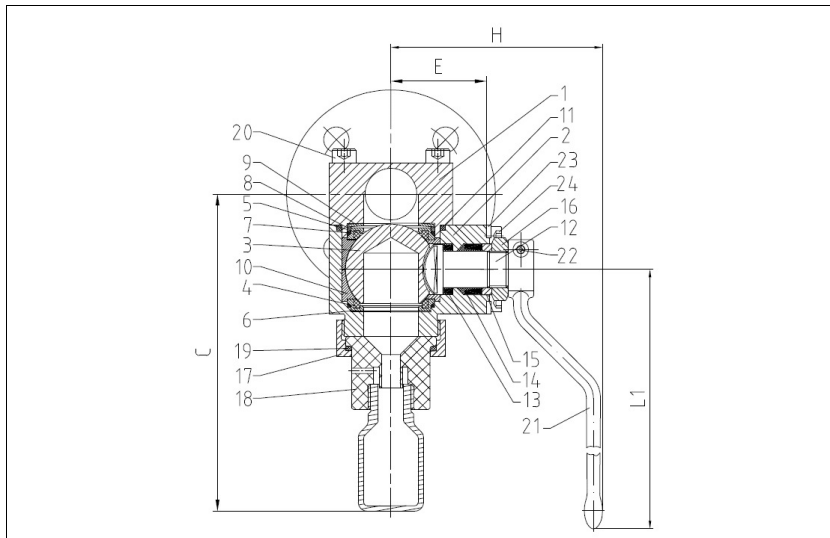


BALL VALVES INTEC

K730, DN15 - DN200, PN 16/40

Sample volume per switch cycle 10, 15 or 25 ml,
soft seated



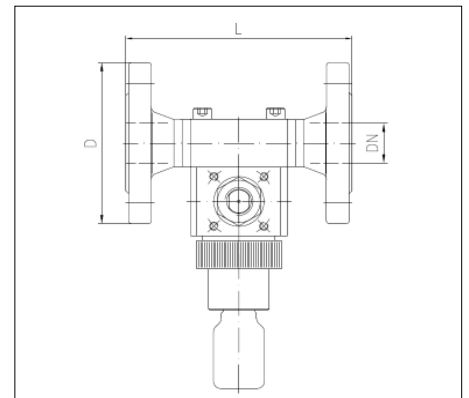
Sampling device ball valve with
flanges acc. to EN 1092
connection thread for sample bottle
acc. to DIN 168 GL 25, GL 32, GL 45
full bore
face to face acc. to EN 558, GR. 1
face to face acc. to EN 558, GR. 27

Specification:

Sampling device ball valve with flanges acc. to EN 1092, connection thread for sample bottle acc. to DIN 168 GL 25, GL 32, GL 45, face to face dimensions acc. to EN 558, GR.1/GR.27, full bore, blow-out-proof stem, body material stainless steel (1.4571/1.4404/1.4408), antistatic device, free of non ferrous metals, ball with pocket hole for a defined sample volume of 10, 15, 25 ml, cavity reduced through spherical cap, seat fully chambered, top flange DIN EN ISO 5211, approved by PED, certified acc. to GERMAN clean air act VDI 2440, with lever.

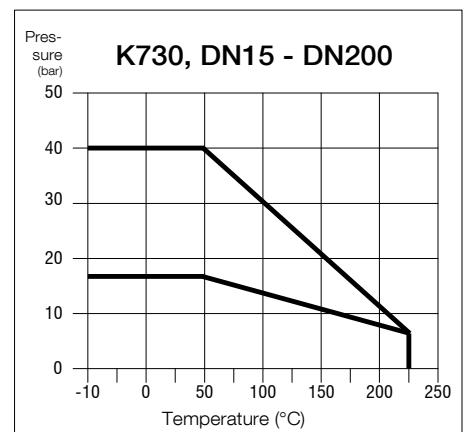
Marking: INTEC 730

No.	Part	Material
design PN 16		
1	adapter	1.4571/1.4404/1.4408
2	body	1.4571/1.4404/1.4408
3	ball	1.4571/1.4404
4	seat exit port	KFM
5	seat entry port	KFM
6	seat bearing ring	1.4571/1.4404
7	bearing ring seal	KF
8	follower ring	1.4571/1.4404
9	plate spring	Inconel 718
10	spherical cap	1.4571/1.4404
11	body seal	KF
12	stem	1.4462
13	below seal	KFGN/Graphite
14	upper seal	KFAM/Graphite
15	bearing	PEEK
16	hex. nut self-locking	A2/1.4301
17	cap nut	1.4301
18	bottle adapter	KFGN
19	o-ring	Viton
20	allen screw	A4-70
21	lever	1.4408
22	allen screw	A2-70
23	stopper	1.4301
24	allen screw	A2-70
design PN 40		
4	seat exit port	PEEK



Dimensions

DN mm	PN	dimensions (mm)		L (GR.1)	L (GR.27)	D	E	C sample bottle		
		H	L1					25 ml (GL25)	50 ml (GL32)	100 ml (GL45)
15	16/40	116.5	180	130	-	95	52.5	170.3	187.3	200.3
20	16/40	116.5	180	150	-	105	52.5	172.5	189.5	202.5
25	16/40	116.5	180	160	-	115	52.5	175.1	192.1	205.1
32	16/40	116.5	180	180	-	140	52.5	177.6	194.6	207.6
40	16/40	116.5	180	200	140	150	52.5	180.5	197.5	210.5
50	16/40	116.5	180	230	150	165	52.5	186.75	203.75	216.75
65	16/40	216.5*	180	290	170	185	52.5	198.1	215.1	228.1
80	16/40	216.5*	180	310	180	200	52.5	209.5	226.5	239.5
100	16/40	216.5*	180	350	190	200/235	52.5	223.4	240.4	253.4
125	16/40	216.5*	180	-	325	250/270	52.5	237.3	254.5	267.5
150	16/40	216.5*	180	-	350	285/300	52.5	252.0	269.0	282.0
200	16/40	216.5*	180	-	400	340/375	52.5	266.4	283.4	296.4



* incl. 100 mm stem extension.

Protection box, safety cover and/or heating jacket on request.

- special material on request.

Ordering example:
INTEC K730, DN50, PN16, GR.1,
25 ml, GL 25